

User Manual



The BOXX'r
by 'r products



CONTENT • INNEHÅLL • INDEX

ENGLISH

Safety instructions	4
Introduction	5
How to setup The Boxx'r	6
Recommendations for usage	8
Maintenance, Disposal, Troubleshooting	9
Warranty Terms	10
Technical data	11

SVENSK

Säkerhetsinstruktioner	12
Introduktion	13
Hur man kommer igång med The Boxx'r	14
Rekommendationer vid användning	16
Skötsel, Bortskaffande, Felsökning	17
Garantivillkor	18
Tekniska data	19

DEUTSCH

Sicherheitshinweise	20
Einführung	21
Inbetriebnahme von The Boxx'r	22
Bedienungsanleitung	24
Pflege, Entsorgung, Problembehebung	25
Produkte Garantie	26

SAFETY INSTRUCTIONS

Please read these instructions carefully before using the appliance for the first time and save them for future reference.

When using an electrical appliance, basic precautions should always be followed, including the following:

- The Boxx'r is for household use only. Any other use will make the guarantee void.
- Only use The Boxx'r for its intended use i.e. cooling Bag-in-Box wines.
- Always examine The Boxx'r, cable & plug for damage, before use. If the power cable is damaged, it must be replaced by a qualified person in order to avoid danger.
- Do NOT connect The Boxx'r to a power supply before the set up is completed.
- The Boxx'r is an electrical appliance. To avoid injury or death from an electric shock do not operate The Boxx'r with wet hands, or in wet conditions.
- Do NOT immerse The Boxx'r into water or other liquids.
- The Boxx'r is NOT intended for use by children.
- To allow necessary ventilation make sure there is a 10 cm clearance round The Boxx'r.
- Use The Boxx'r on a level and stable surface. It should not be placed on any soft material which could block the ventilation holes.
- Keep The Boxx'r away from any heat source or direct sunlight, as this influences the performance of the cooling device.
- In use keep the lid on, otherwise it will not function properly and will prevent the temperature from rising dramatically.
- Do NOT place any other appliance on top of The Boxx'r.
- Always unplug The Boxx'r from the power supply when not in use.
- Never pull on the cable to disconnect the appliance from the socket, grasp the plug instead.
- Never lift or carry The Boxx'r by the cable.

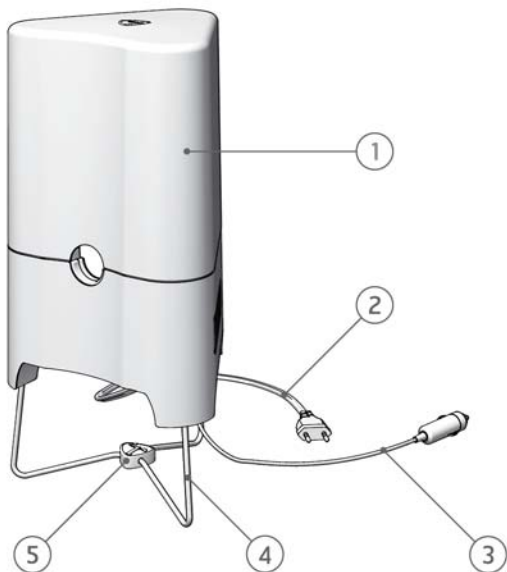
INTRODUCTION

Congratulations on acquiring your Boxx'r!

In this user manual you will find all the information you need to optimally enjoy your Bag-in-Box cooler.

Please check that the box contains all parts. You should have received the following:

1. Base unit
2. 230V AC power cable
3. 12V DC power cable
4. Stand legs (3)
5. Stand connector
6. User manual

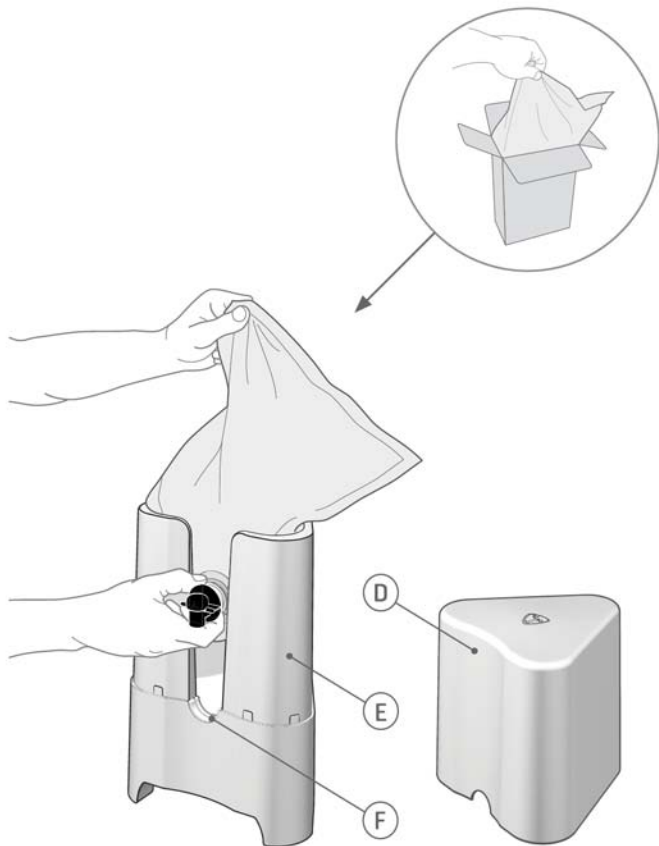


HOW TO SETUP THE BOXX'R

1. Before connecting The Boxx'r to the power source make sure the temperature selector switch (A) is set to OFF.
2. Select the applicable power cable for the power source of choice: 230V AC power supply (2) or 12V DC power supply (3) and connect it to the correct position. Connector (B) is for the AC power cable and connector (C) for the DC power cable. Always connect the power cable to The Boxx'r first before connecting to the power source.

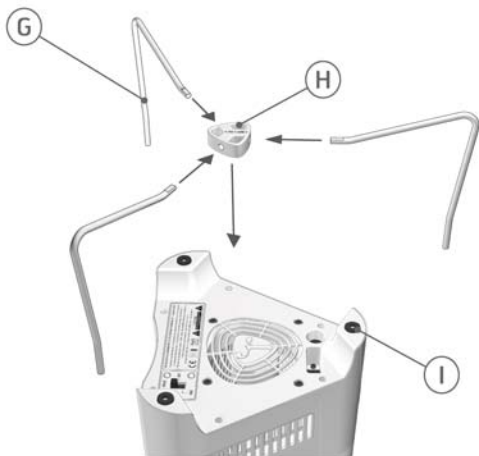


3. Remove the lid (D) from the base unit (E). Open the Bag-in-Box packaging and carefully remove the bag. Hold one of the top corners of the bag with one hand whilst holding the tap with the other hand. Guide the tap through the slot in the base unit and make sure the tap is fixed in the tap holder (F). Do not try to force the bag into the cooling area otherwise it may tear. Once the bag is in place put the lid back on to the base unit.
4. Before activating The Boxx'r make sure that it is placed on a level and stable surface.



5. Activate the cooler with the temperature selector switch (A):
- select 'white-rosé' for white or rosé wines (the white LED will light up)
 - select 'red' for red wines (the red LED will light up)

6. The Boxx'r can be connected to the optional stand, if easier access to the tap is required. To do this, place the stand legs (G) one by one in the stand connector (H). After assembly insert the wires of the stand into the holes provided in the rubber feet (I).



RECOMMENDATIONS FOR USAGE

- It is recommended that you use The Boxx'r in an environment of a maximum of 25°C. Using it in warmer temperatures will affect the performance of the cooler.
- A full bag sometimes needs care guiding it into the cooling area. Keep hold of the tap with one hand and use the other hand to help guide the bag into place.
- To create a uniform temperature of the contents please gently shake The Boxx'r from time to time.
- When positioning The Boxx'r please be aware that the taps of the "Bag-in-Box" bags can sometimes drip and can cause stains. Condensation on the tap could occur and cause dripping.
- To indicate which wine is in use, cut out the label from the original packaging and place it on top of the bag inside The Boxx'r.

MAINTENANCE

- Ensure to unplug The Boxx'r before maintenance to avoid the risk of electrical shock.
- To clean The Boxx'r use only mild detergents and never use harsh detergents or solvents. We advise cleaning The Boxx'r with a damp cloth, using warm soapy water and rinsing with clean water; dry completely before connecting it to a power source.
- Never clean The Boxx'r directly with water as this will cause a risk of electrical shock or short circuit the cooler.

DISPOSAL

Please think of the environment when disposing of The Boxx'r or its packaging and dispose of the parts properly. WEEE legislation requires that The Boxx'r must be collected for reuse and recycling. Please contact your local authority for a designated collection facility near to you.

TROUBLESHOOTING

Symptom	Cause	Possible solution
The cooling unit does not work	A loose connection between the power cable and The Boxx'r	Check the connections of both ends of the power cable
	The ventilator is blocked	Clean the ventilator and check that it is clear
The cooler is not reaching the desired temperature	Ventilation outlets are blocked	Move The Boxx'r away from the wall or other blocking objects
	Wrong temperature setting is chosen	Change to the correct temperature setting
	The environment is warmer than 25°C	Move The Boxx'r to a cooler environment
There is a burning smell coming from the cooler	The Boxx'r is overheating	Immediately turn off The Boxx'r and unplug the unit. Contact the retailer or us for repair.

WARRANTY TERMS

The warranty begins on the date of purchase and is valid for one year. If any defect due to faulty materials and/or workmanship occurs within the warranty period, 'r products will make arrangements for free of charge service. Where a repair is not possible or is deemed uneconomical 'r products may agree to replace The Boxx'r. Replacement will be offered at 'r products discretion and the warranty will continue from the date of original purchase.

The warranty applies provided The Boxx'r has been handled properly for its intended use and in accordance with the operating and safety instructions.

The warranty does not cover for the losses consequent in nature, including but not limited to loss of business.

The warranty does not apply if:

- The purchase documents have been altered in any way or made illegible.
- Repairs or product modifications and alterations have been carried out by unauthorized service organizations or persons.
- The Boxx'r is being used for commercial purpose.
- The defect is caused by abuse or misuse of The Boxx'r or by environmental conditions that are not in conformance with the recommended operations of the product.
- The Boxx'r has been damaged - including but not limited to damage by pets, lightning, abnormal voltage, water or fire, natural disaster or transport accident.
- The Boxx'r is defective due to wear of parts, which can be considered as consumable parts by their nature

In order to avoid unnecessary inconvenience, we advise you to read the operating instructions carefully before contacting your dealer or us. To report a problem with The Boxx'r please contact your dealer first.

TECHNICAL DATA

Capacity:	3 litres
Temperature settings:	<ul style="list-style-type: none">• white - rosé preset: ca. 10°C• red preset: ca. 16,5°C
Voltage:	<ul style="list-style-type: none">• 200-240V- 50/60Hz AC• 12V DC
Power:	<ul style="list-style-type: none">• AC: 42-45 Watt• DC: 36 Watt
Power consumption:	< 1 kWh/24h
Weight:	2.3 kg, 3.1 kg including packaging
Size (W x D x H):	<ul style="list-style-type: none">• Product: 210 x 220 x 350 (450) mm• Packaging: 255 x 255 x 395 mm
Cooling capacity:	Max. 18-20°C below ambient temperature
Ambient conditions for The Boxx'r:	<ul style="list-style-type: none">• Temperature range: from +10 to +32°C• Humidity: less than 70%

Please note that the contents of the box might differ slightly from those shown on the outside of the box.

These instructions are subject to alterations or improvements.





The BOXX'r

by 'r products



• www.theboxxr.com •

© 2010 • 'r products AB • Sweden